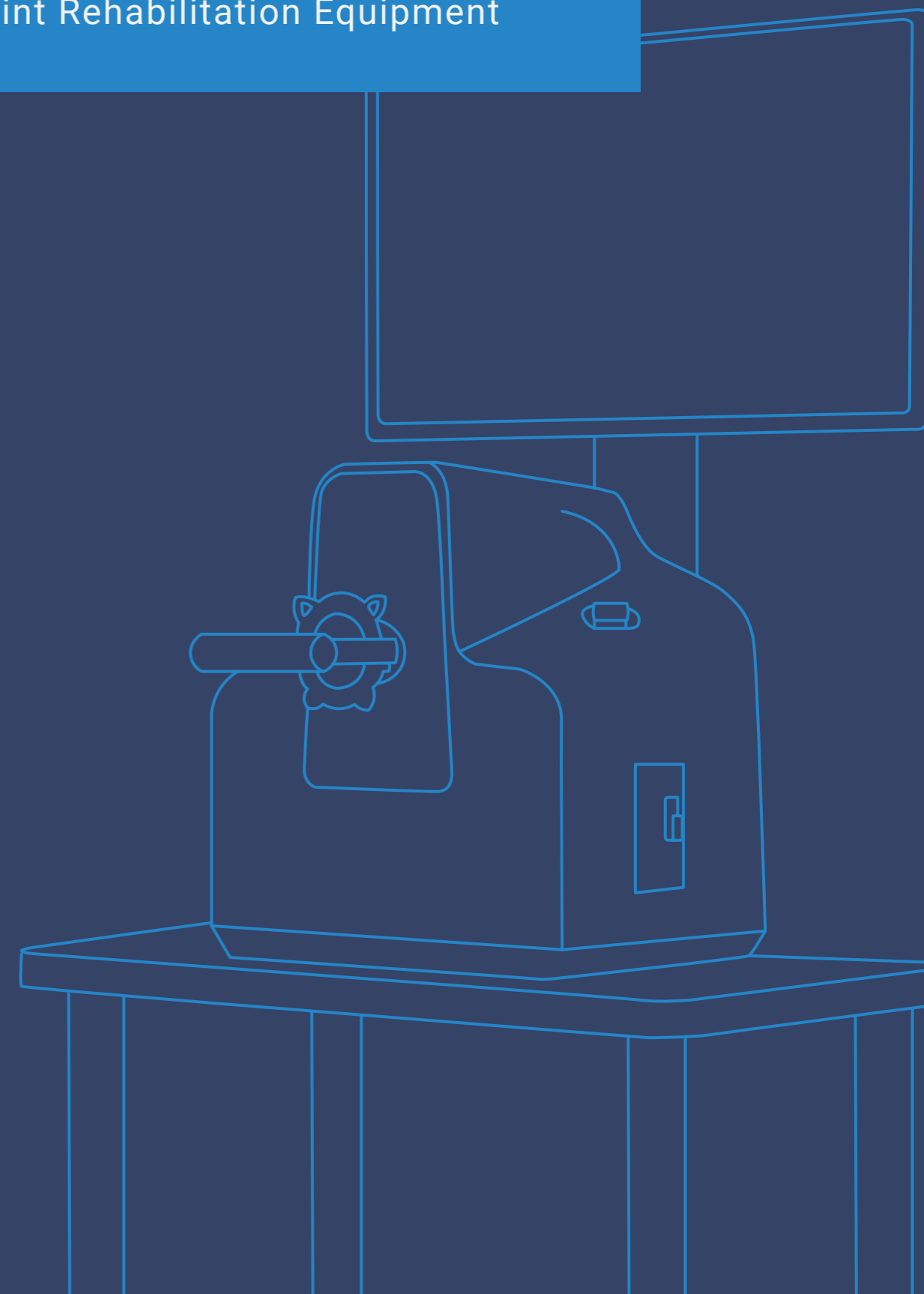


Fourier Rehab Global Partnership Network



WristMotus™ M1-W
Wrist Joint Rehabilitation Equipment



www.fftai.com



care@fftai.sg



[@FourierRehab](https://www.youtube.com/@FourierRehab)



[@FourierRehab](https://www.facebook.com/FourierRehab)

China Corporate Office

Fourier Intelligence Co. Ltd

Floor 2, Building 12,
No. 2388 Xiupu Road,
Pudong District,
Shanghai, China, 201203

Tel: +86 21 5030 8716

Singapore Corporate Office

**Fourier Intelligence
International Pte. Ltd.**

Marina One West Tower,
9 Straits View #05-07,
Singapore 018937

Tel: +65 6911 6651

Malaysia Corporate Office

Fourier Intelligence Sdn. Bhd.

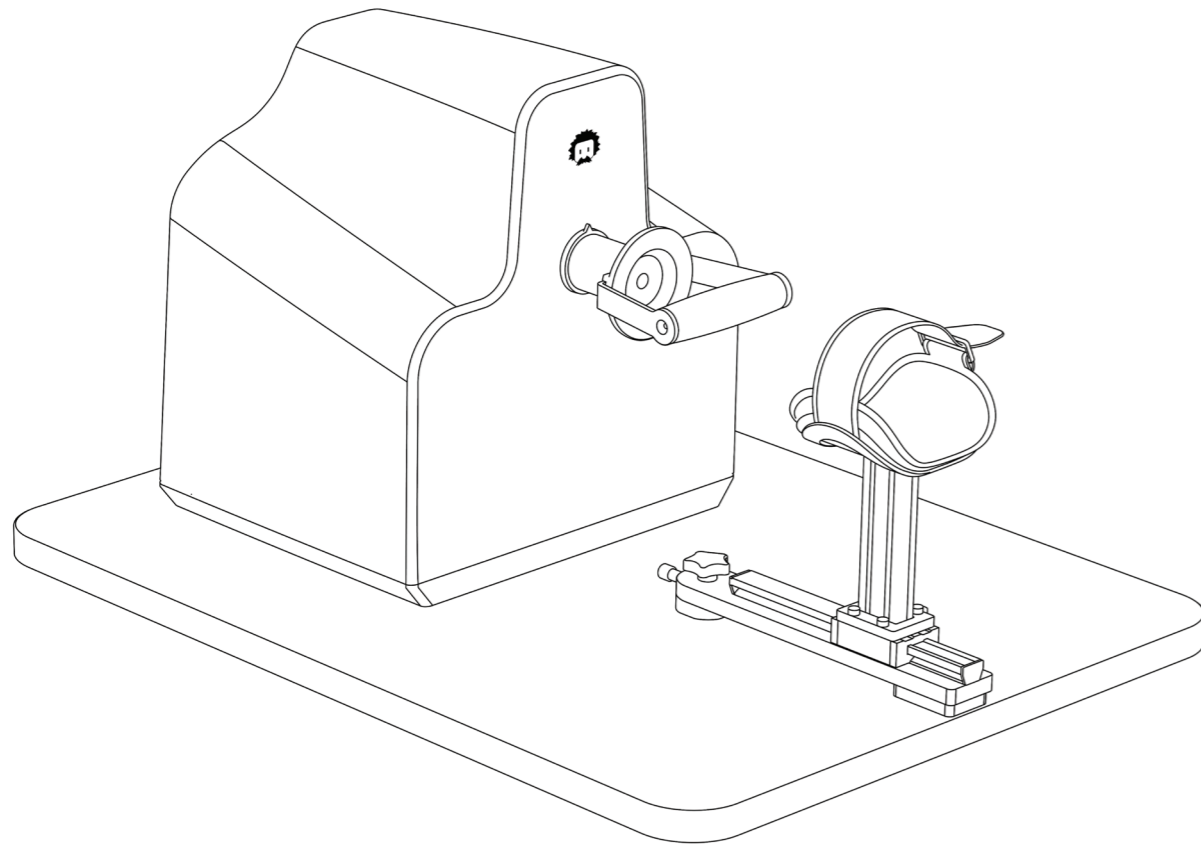
Level 8-2, Menara Pernas,
Tower 7, Avenue 7,
Bangsar South City,
59200 Kuala Lumpur

Tel: +603 - 2242 0170

WristMotus™ M1-W

Wrist Joint Rehabilitation Equipment

WristMotus™ M1-W is a wrist joint rehabilitation equipment that targets wrist functions by providing training that mimics activities of daily living, such as forearm pronation and supination, ulnar and radial deviation, flexion and extension.



Passive Mode



Assistive Mode



Active Mode



Resistive Mode



Stretching Mode



Cognition Mode

Covers the Whole Continuum of Rehabilitation

Rehabilitation from the acute to the chronic stages can be covered with the intelligent force feedback technology that responds to the needs of various patients.

Abundant Therapies

Professional and personalised therapy including motor control, muscle strength, ROM and cognitive training.

Digitised Training

Analyses every movement precisely and generates a report after training.

Quick Setup

User-friendly design that requires only 1 minute to set up and efficiently trains 15 patients daily.

Interchangeable Handles

The handles are interchangeable depending on the condition of the patient's wrist. A rich variety of handles are available to meet the needs of different conditions.



- 1- Flexion
Extension
- 2- Doorknob
Handle
- 3- Ulnar / Radial
Deviation
- 4- Forearm
Pronation / Supination
- 5- Forearm
Pronation / Supination

Immersive Interactive Experience

An extensive library of interactive games and customisable trainings can guide the user to complete postural control through audio and visual inputs, which can retain the user's interest and achieve rehabilitation purpose at the same time.



ROM



Strength

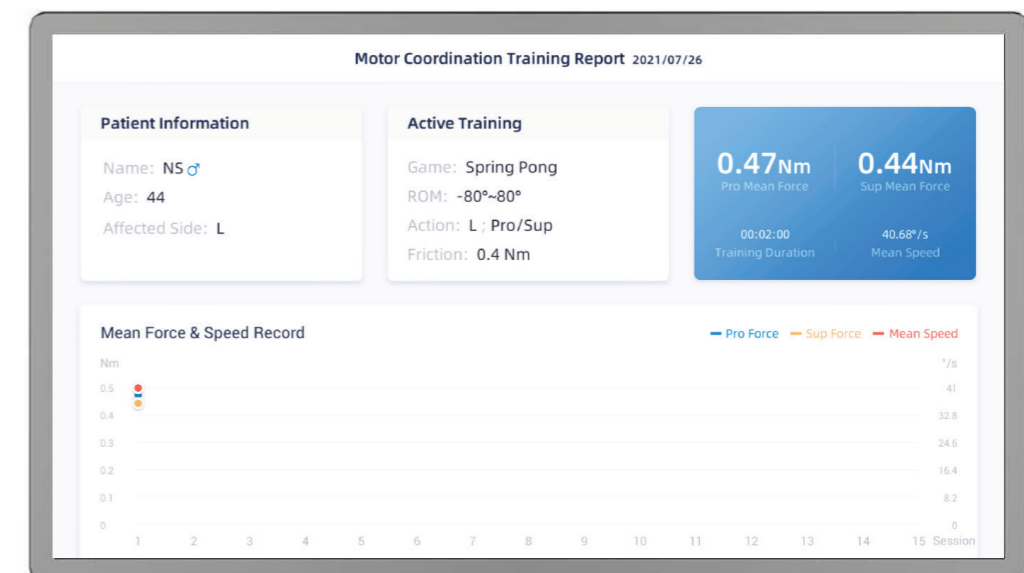


Control



Measurable Training

Fourier Rehab's products are integrated with force and position sensors to measure every movement precisely. The device can measure the user's performance from multiple prospects, including the range of motion (ROM), strength, cognition, response time, etc. All of these analyses and training reports should be taken into account to ensure better training outcomes.



Empowering You

Fourier Rehab is a technology-driven company, infusing creativity into the development of exoskeleton and rehabilitation robotics. Together with researchers, therapists and patients, we aim to excel in developing and redefining rehabilitation robotics solutions with interconnectable intelligent robotics technology by elevating user experience with an intuitive, easy-to-use system to enhance the lives of both patients and therapists.

Fourier Global Research Joint Laboratories and Clinical Partners



RehabHub™